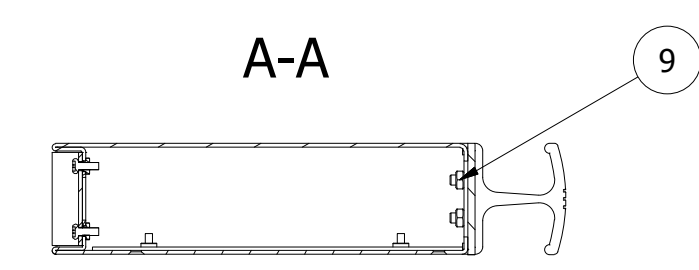
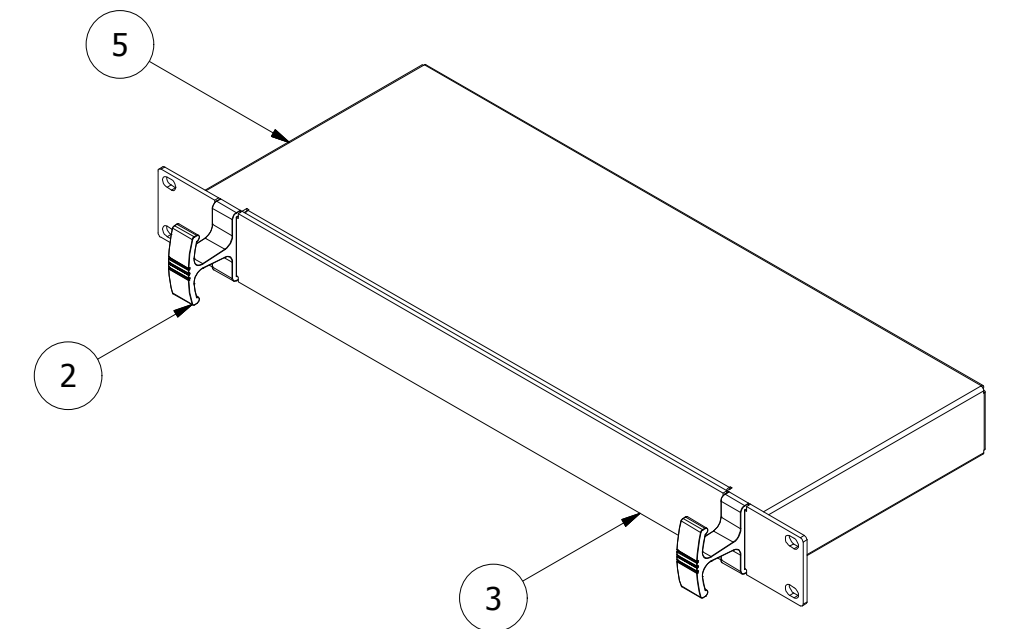


PARTS LIST			
ITEM	QTY	PART NUMBER	DESCRIPTION
1	1	M4900021 (Grey)	Rear Panel
2	2	M4900020 (Grey)	Enclosure Handle
3	1	M4900019 (Grey)	Front Panel
4	1	M4901110 (Grey)	Base Panel
5	1	M4901111 (Grey)	Top Cover
6	4	M3 x 6 mm CSK Screw	Handle Fixing Screws
7	4	M3 x 8 mm CSK Screw	Base Panel Screws
8	6	M3 x 8 mm Pan Screw	Rear Panel Screws
9	4	M4 Hex Nut	Front Panel Fixing Nut

Notes:  
 Case is fabricated from 1.5 mm [0.059"] aluminium sheet with a 3 mm [0.0118"] thick aluminium front panel.  
 Handles are made from extruded aluminium.  
 All assy hardware is steel.



FIRST ANGLE PROJECTION

Designed by L Clark	Description Versamet 1U x 165 mm RAL 7035 Grey	Date 11/09/2013	Scale 1:3
<b>METCASE ENCLOSURES</b> 15 Brunel Way, Segensworth East, Fareham, Hampshire, PO15 5TX, UK. Tel: +44 (0)1489 583858 Email: metcase@okw.co.uk		<b>METcase™</b> www.metcase.com Part Number <b>M4919115</b>	
		Issue <b>1</b>	Sheet <b>1 / 1</b>

© OKW Enclosures Ltd (Date as shown). This drawing contains proprietary information of OKW Enclosures Ltd and is tendered subject to the following conditions. The information be retained in confidence, not be reproduced or copied, and not be used or incorporated in any product, unless permission is obtained in writing from OKW Enclosures Ltd.