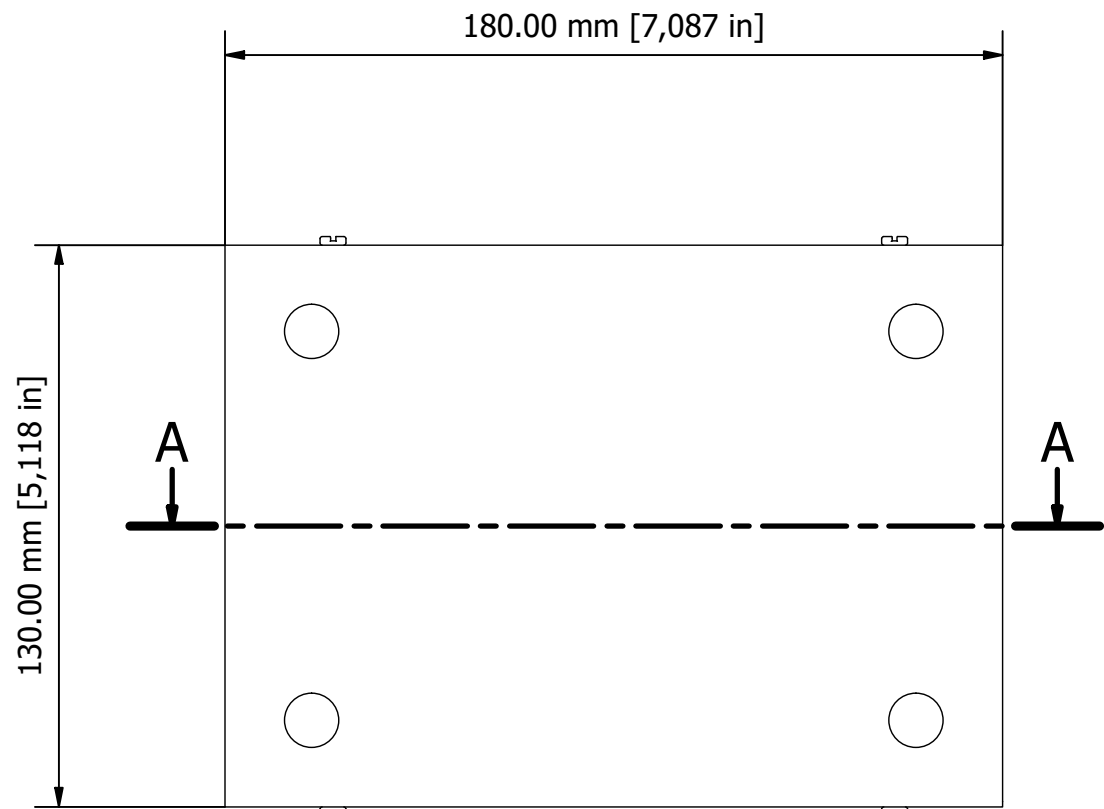
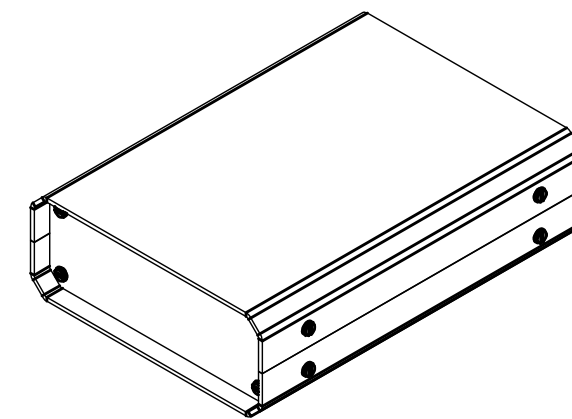
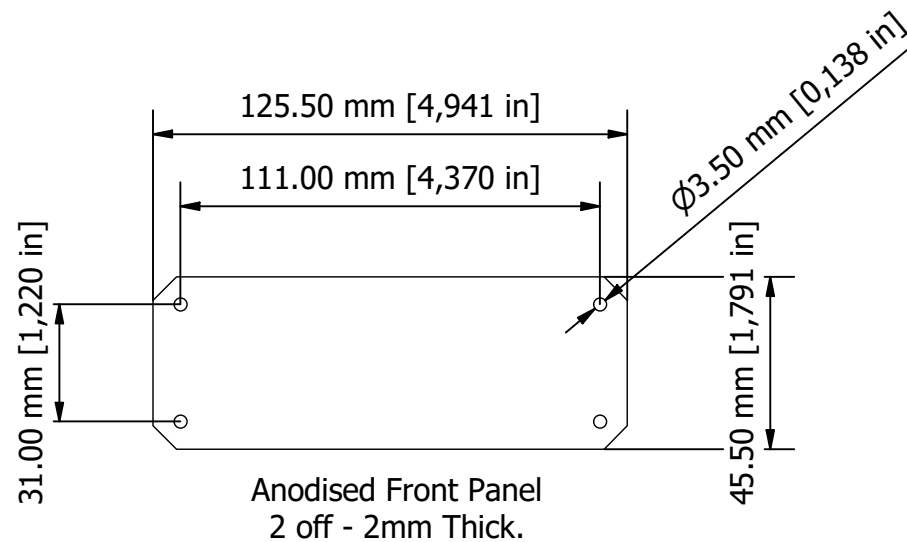


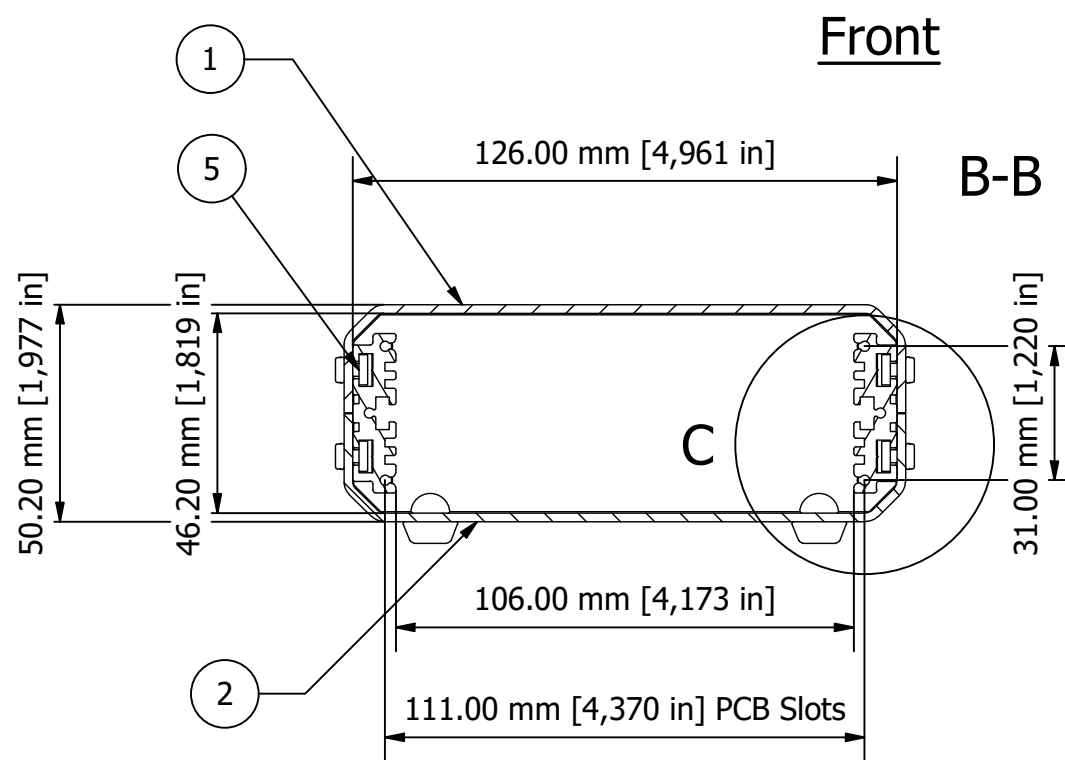
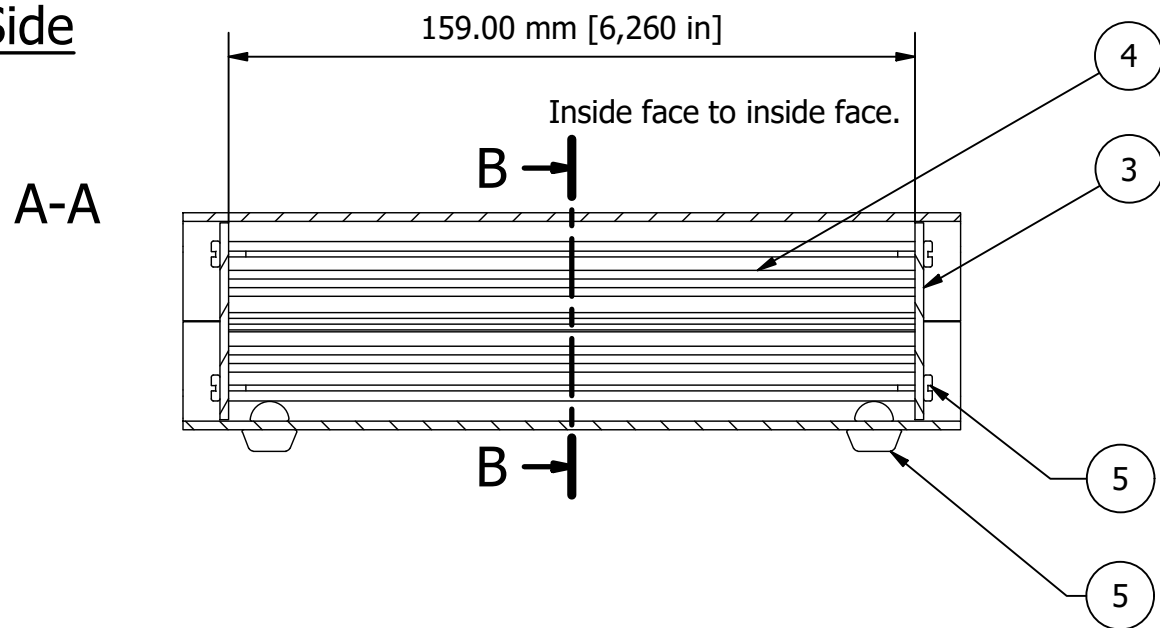
**Base**



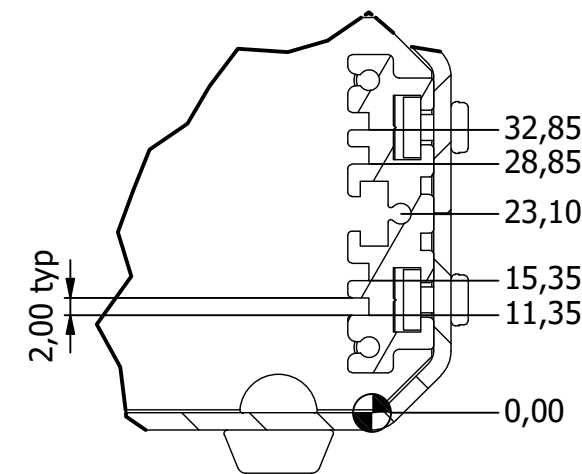
PARTS LIST			
ITEM	QTY	PART NUMBER	DESCRIPTION
1	1	M5409051	Top Panel
2	1	M5409151	Base Panel
3	2	M5402021	Front/Rear Panel
4	2	M5400002	Extrusion
5	1	M5403016	Unicase Assembly Kit



**Side**



**Detail C**



FIRST ANGLE PROJECTION

Designed by L Clark	Description UNICASE SL1 BLACK	Date 02/07/2013	Scale 1:1.75
<b>METCASE ENCLOSURES</b> 15 Brunel Way, Segensworth East, Fareham, Hampshire, UK. PO15 5TX Tel: +44 (0)1489 583858 Email: metcase@okw.co.uk		<b>METcase™</b> www.metcase.com Part Number M5511119	
		Issue 1	Sheet 1 / 1

© OKW Enclosures Ltd (Date as shown). This drawing contains proprietary information of OKW Enclosures Ltd and is tendered subject to the following conditions. The information be retained in confidence, not be reproduced or copied, and not be used or incorporated in any product, unless permission is obtained in writing from OKW Enclosures Ltd.