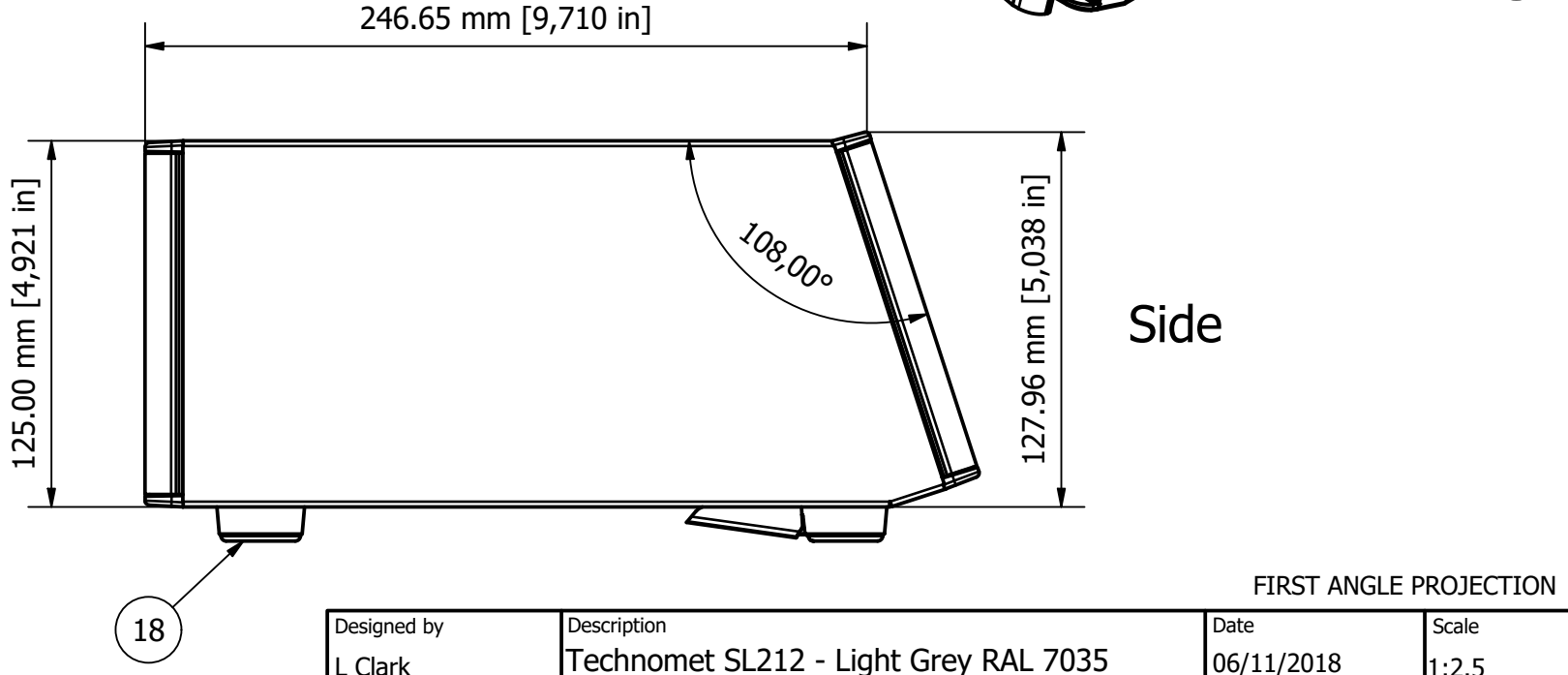
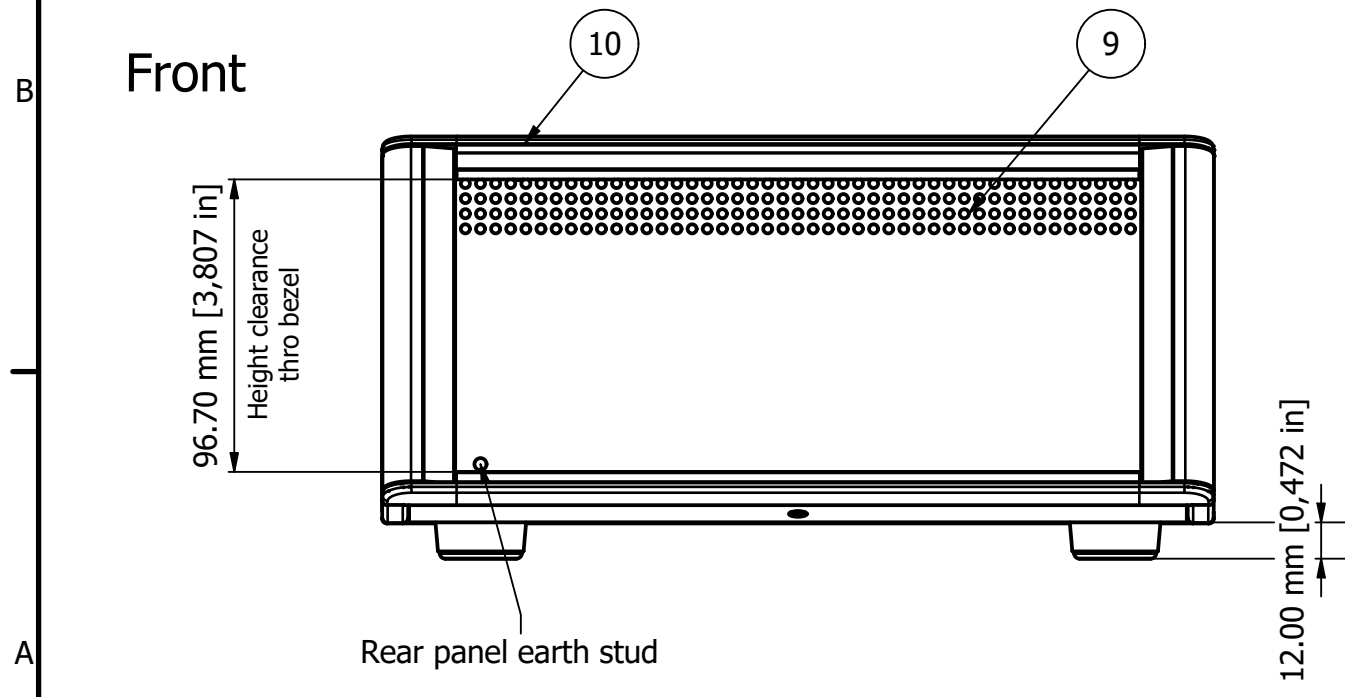
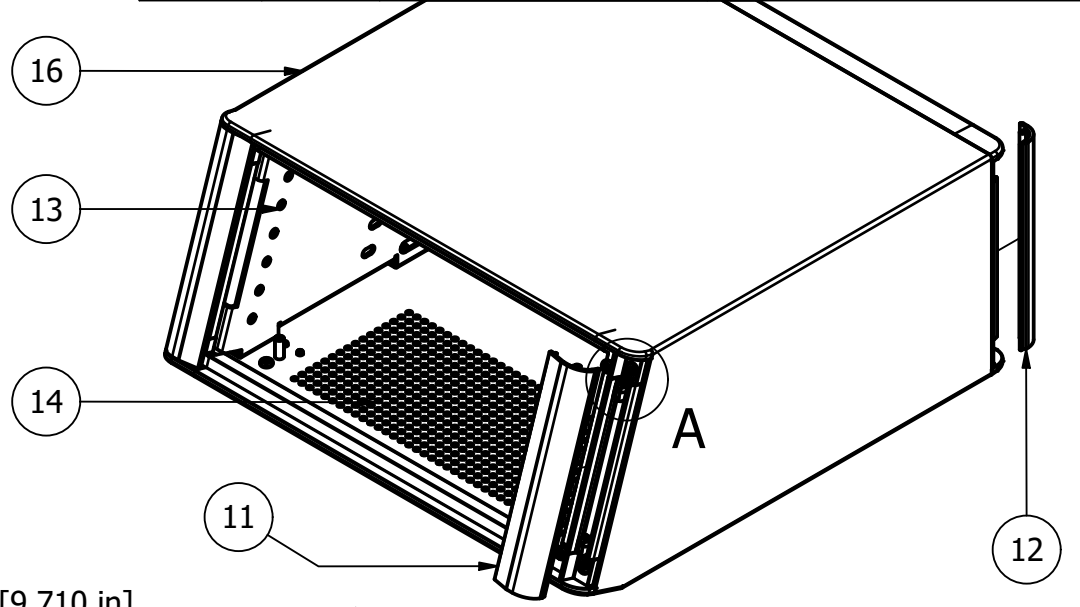


PARTS LIST			
ITEM	QTY	PART NUMBER	DESCRIPTION
1	8	M3x8mm Pan Screw	Rear/Front Panel Screws
2	8	M4x16mm CSK Screw	Bezel Screws
3	8	M3x6mm CSK Screw	Base Panel Screws
4	8	M6420000	Clip for Trims
9	1	M6403445	Rear Panel
10	2	M6401045	Front/Rear Bezel
11	2	M6400055	Front Trims
12	2	M6400075	Rear Trims
14	1	M6403121	Base Panel
13	1	M6403033	LH Chassis Panel
15	1	M6403034	RH Chassis Panel
16	1	M6402031	Wrap Around Cover
18	2	M6420205	Tilted Technofeet Kit

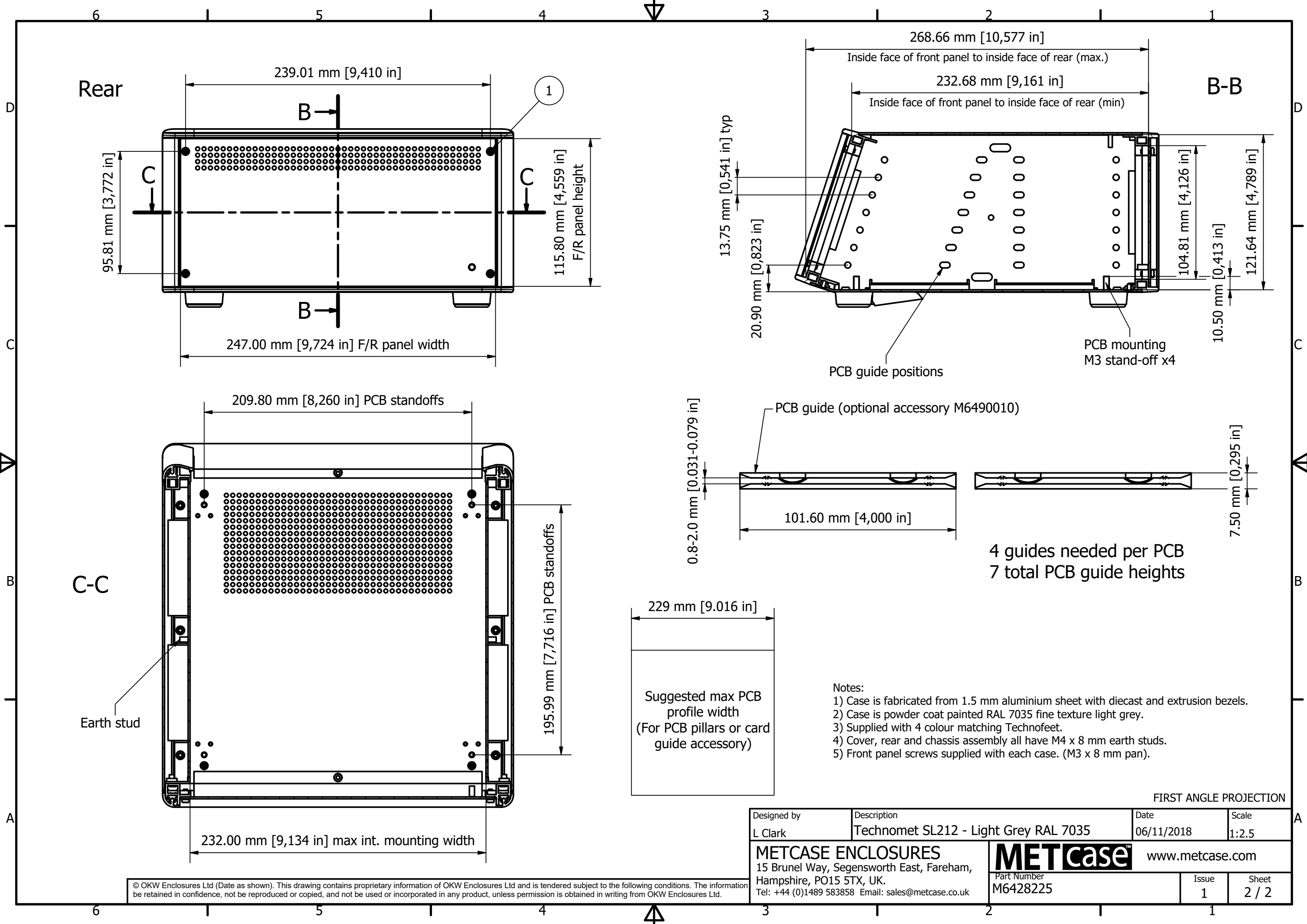


Front panel (M6400703) sold seperately

FIRST ANGLE PROJECTION

Designed by L Clark	Description Technomet SL212 - Light Grey RAL 7035	Date 06/11/2018	Scale 1:2.5
METCASE ENCLOSURES 15 Brunel Way, Segensworth East, Fareham, Hampshire, PO15 5TX, UK. Tel: +44 (0)1489 583858 Email: sales@metcase.co.uk		METcase™ www.metcase.com Part Number M6428225	
		Issue 1	Sheet 1 / 2

© OKW Enclosures Ltd (Date as shown). This drawing contains proprietary information of OKW Enclosures Ltd and is tendered subject to the following conditions. The information be retained in confidence, not be reproduced or copied, and not be used or incorporated in any product, unless permission is obtained in writing from OKW Enclosures Ltd.



© OKW Enclosures Ltd (Date as shown). This drawing contains proprietary information of OKW Enclosures Ltd and is tendered subject to the following conditions. The information be retained in confidence, not be reproduced or copied, and not be used or incorporated in any product, unless permission is obtained in writing from OKW Enclosures Ltd.