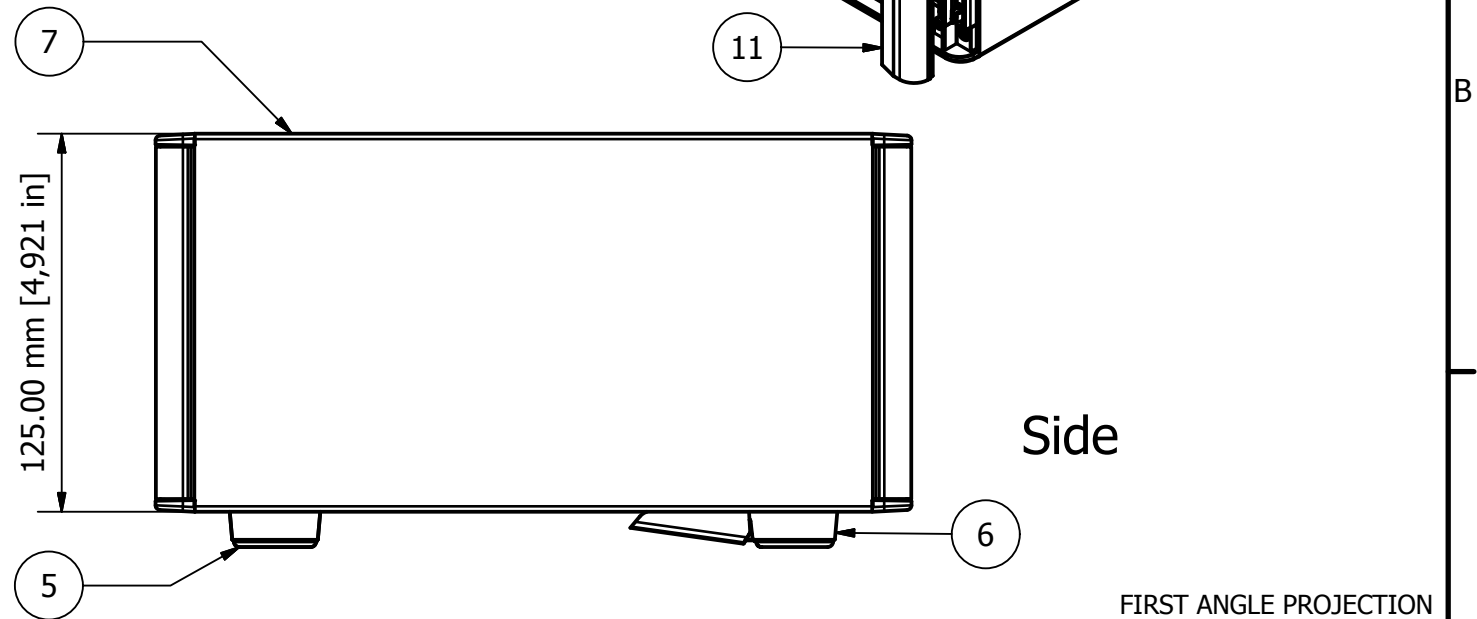
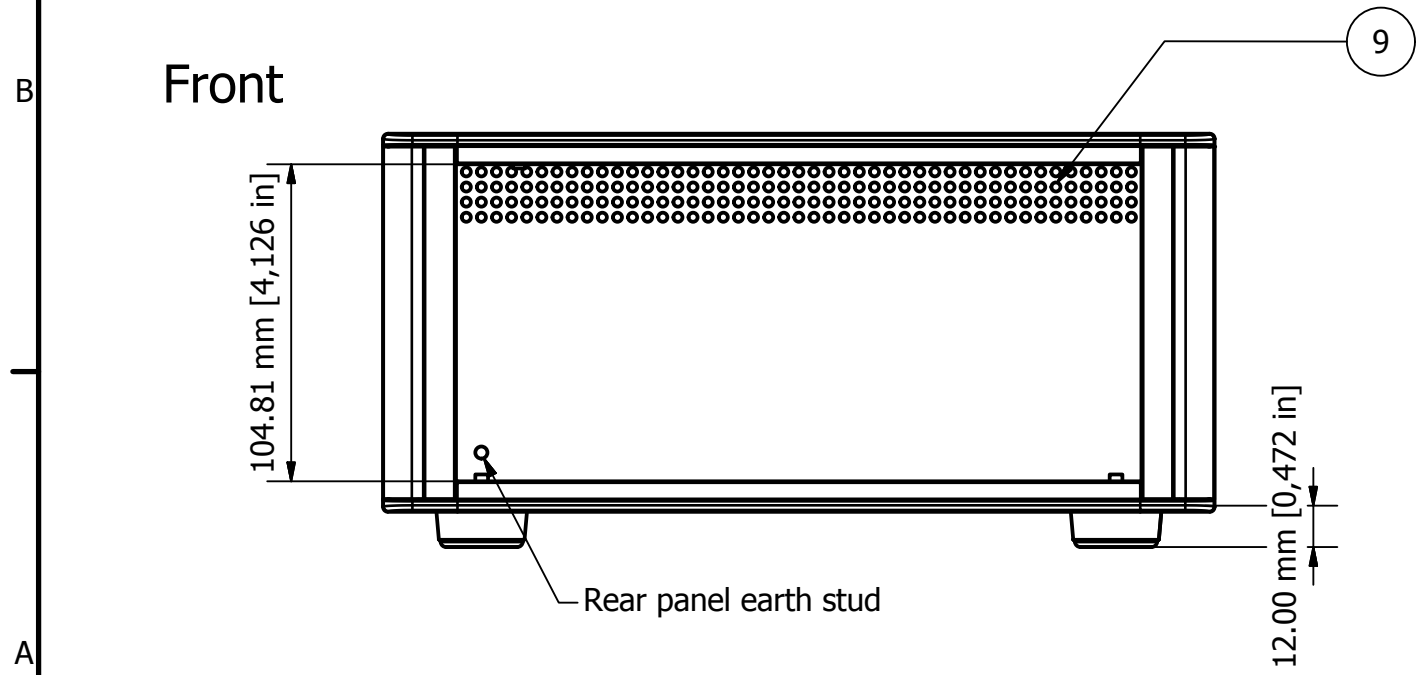
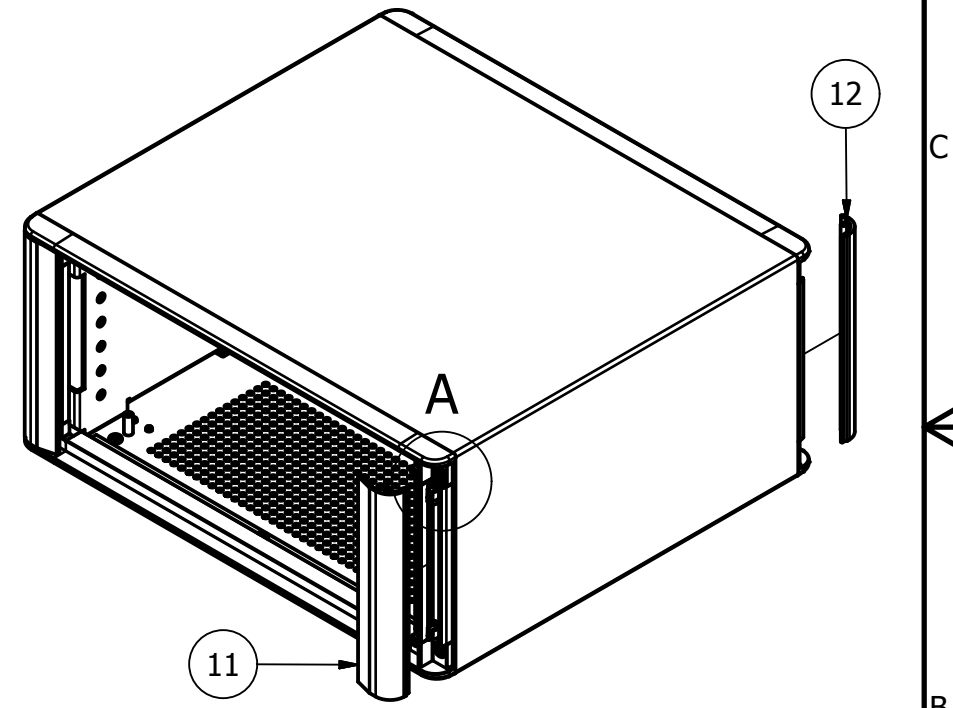


PARTS LIST			
ITEM	QTY	PART NUMBER	DESCRIPTION
1	8	M3x8mm Pan	Rear Panel Screws
2	8	M4x16mm CSK	Bezel Assembly Screws
3	2	M3x6mm CSK	Base Panel Screws
4	8	M6420000	Clip for Trims
5	2	M6420204 flat	Rear Non-Tilt Foot
6	2	M6420204 tilt	Front Tilt Foot
7	1	M6402414	Wrap Around Cover
8	1	M6403344	Base/Internal Side Sub-Assy
9	1	M6403444	Rear Panel - 1.5 mm thick
10	2	M6401044	Front/Rear Bezel
11	2	M6400054	Front Trim
12	2	M6400074	Rear Trim

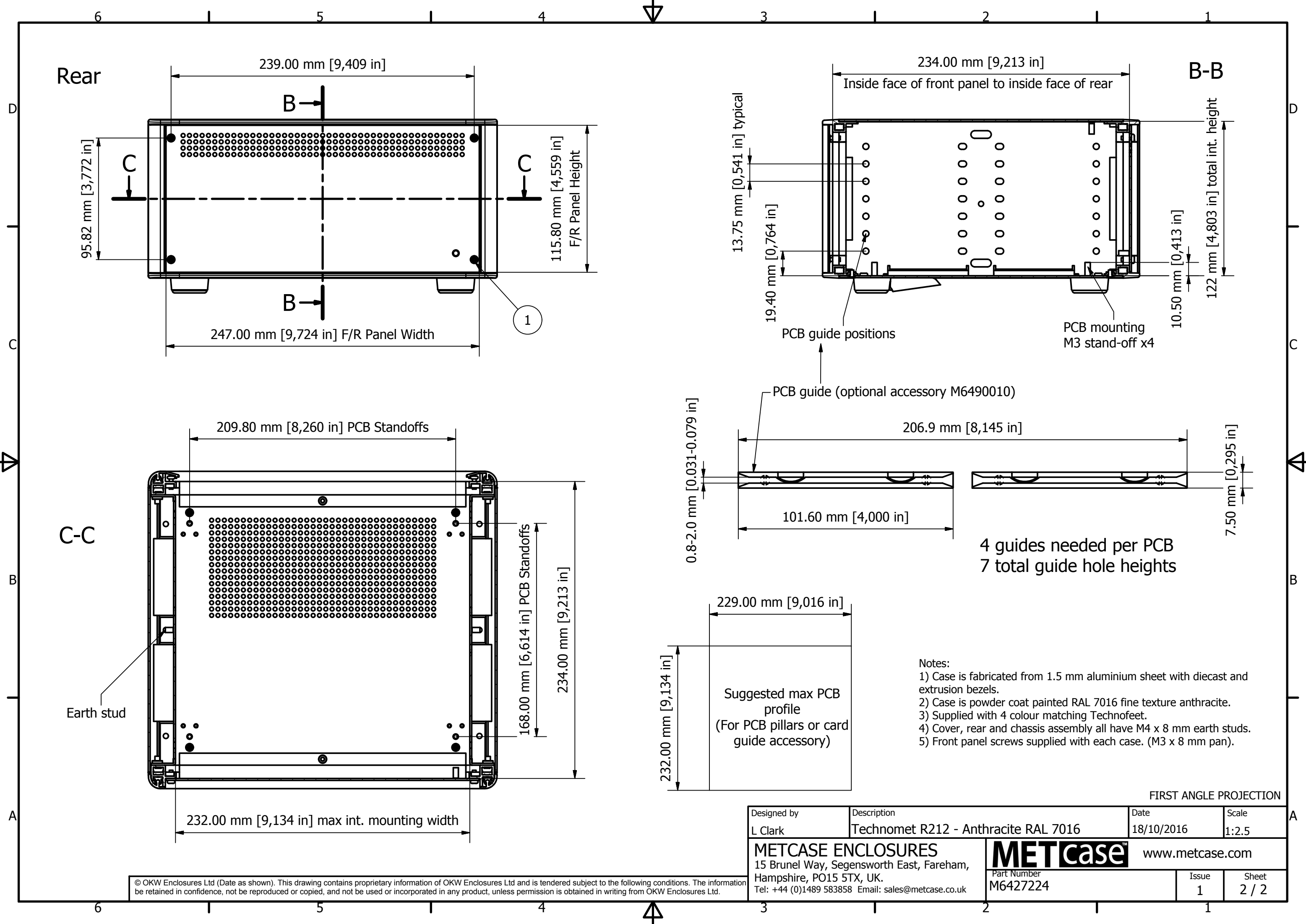


FIRST ANGLE PROJECTION

Front panel (M6400703) sold seperately

Designed by L Clark	Description Technomet R212 - Anthracite RAL 7016	Date 18/10/2016	Scale 1:2.5
METCASE ENCLOSURES 15 Brunel Way, Segensworth East, Fareham, Hampshire, PO15 5TX, UK. Tel: +44 (0)1489 583858 Email: sales@metcase.co.uk		METcase™ www.metcase.com Part Number M6427224	
		Issue 1	Sheet 1 / 2

© OKW Enclosures Ltd (Date as shown). This drawing contains proprietary information of OKW Enclosures Ltd and is tendered subject to the following conditions. The information be retained in confidence, not be reproduced or copied, and not be used or incorporated in any product, unless permission is obtained in writing from OKW Enclosures Ltd.



FIRST ANGLE PROJECTION

Designed by L Clark	Description Technomet R212 - Anthracite RAL 7016	Date 18/10/2016	Scale 1:2.5
METCASE ENCLOSURES 15 Brunel Way, Segensworth East, Fareham, Hampshire, PO15 5TX, UK. Tel: +44 (0)1489 583858 Email: sales@metcase.co.uk		METcase™ www.metcase.com Part Number M6427224	
		Issue 1	Sheet 2 / 2

© OKW Enclosures Ltd (Date as shown). This drawing contains proprietary information of OKW Enclosures Ltd and is tendered subject to the following conditions. The information be retained in confidence, not be reproduced or copied, and not be used or incorporated in any product, unless permission is obtained in writing from OKW Enclosures Ltd.