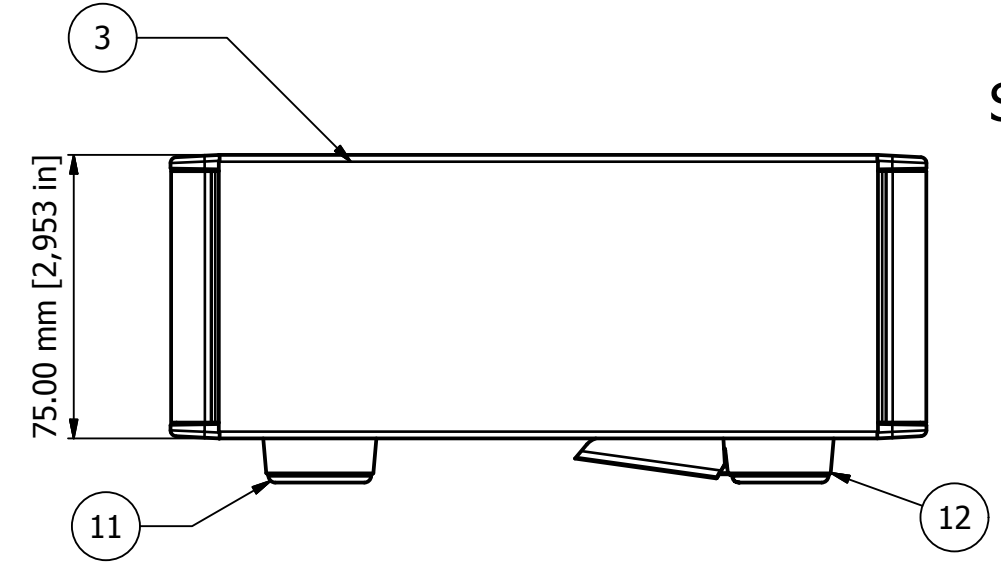
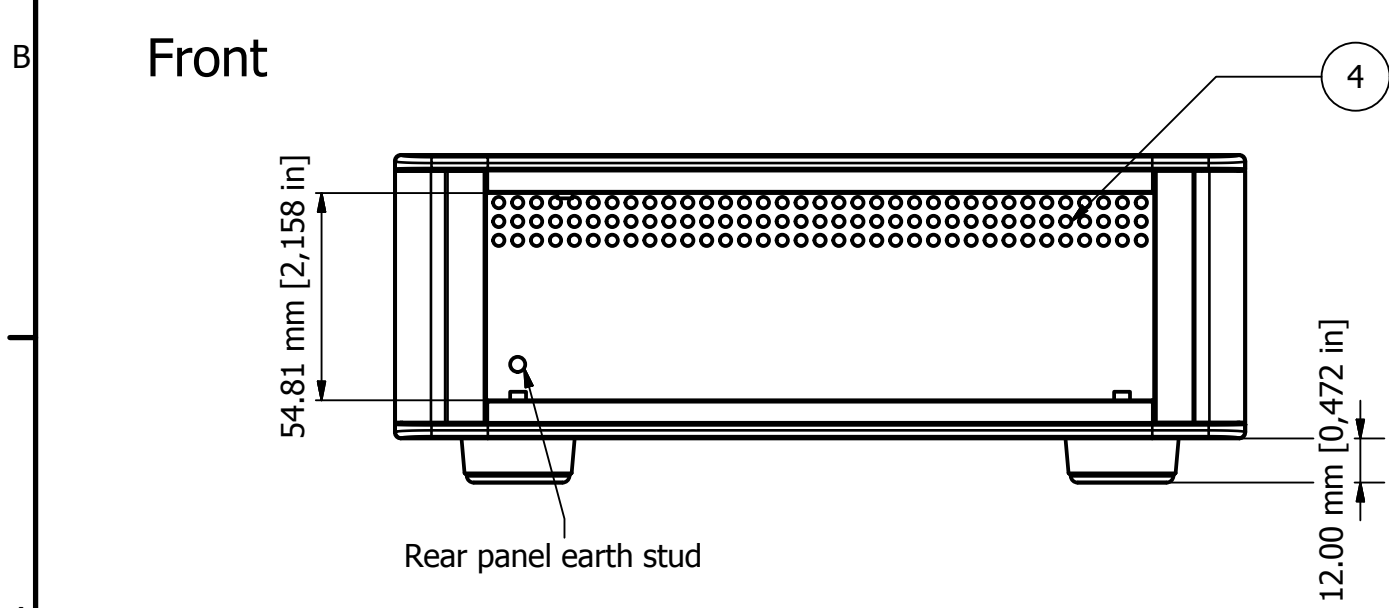
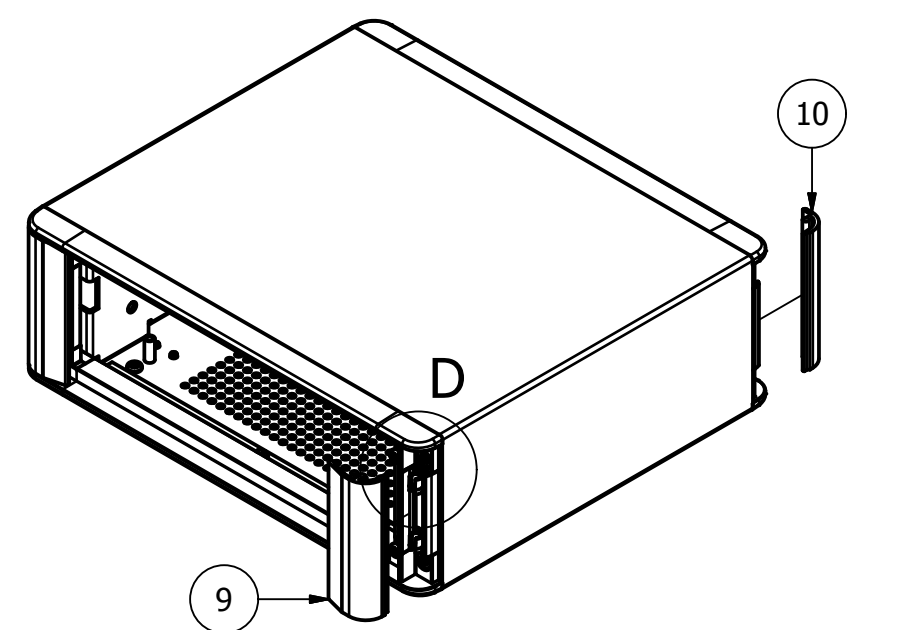


PARTS LIST			
ITEM	QTY	PART NUMBER	DESCRIPTION
1	2	M6401015	Front/Rear Bezel
2	1	M6403315	Base/Internal Sides Sub-Assy
3	1	M6402115	Wrap Around Cover
4	1	M6403415	Rear Panel - 1.5 mm thick
5	8	M3x8mm Pan	Rear Panel Screws
6	8	M4x16mm CSK	Bezel Assembly Screws
7	2	M3x6mm CSK	Base Panel Screws
8	8	M6420000	Clip for Trims
9	2	M6400051	Front Trim
10	2	M6400071	Rear Trim
11	2	M6420205 flat	Rear Non-Tilt Foot
12	2	M6420205 tilt	Front Tilt Foot

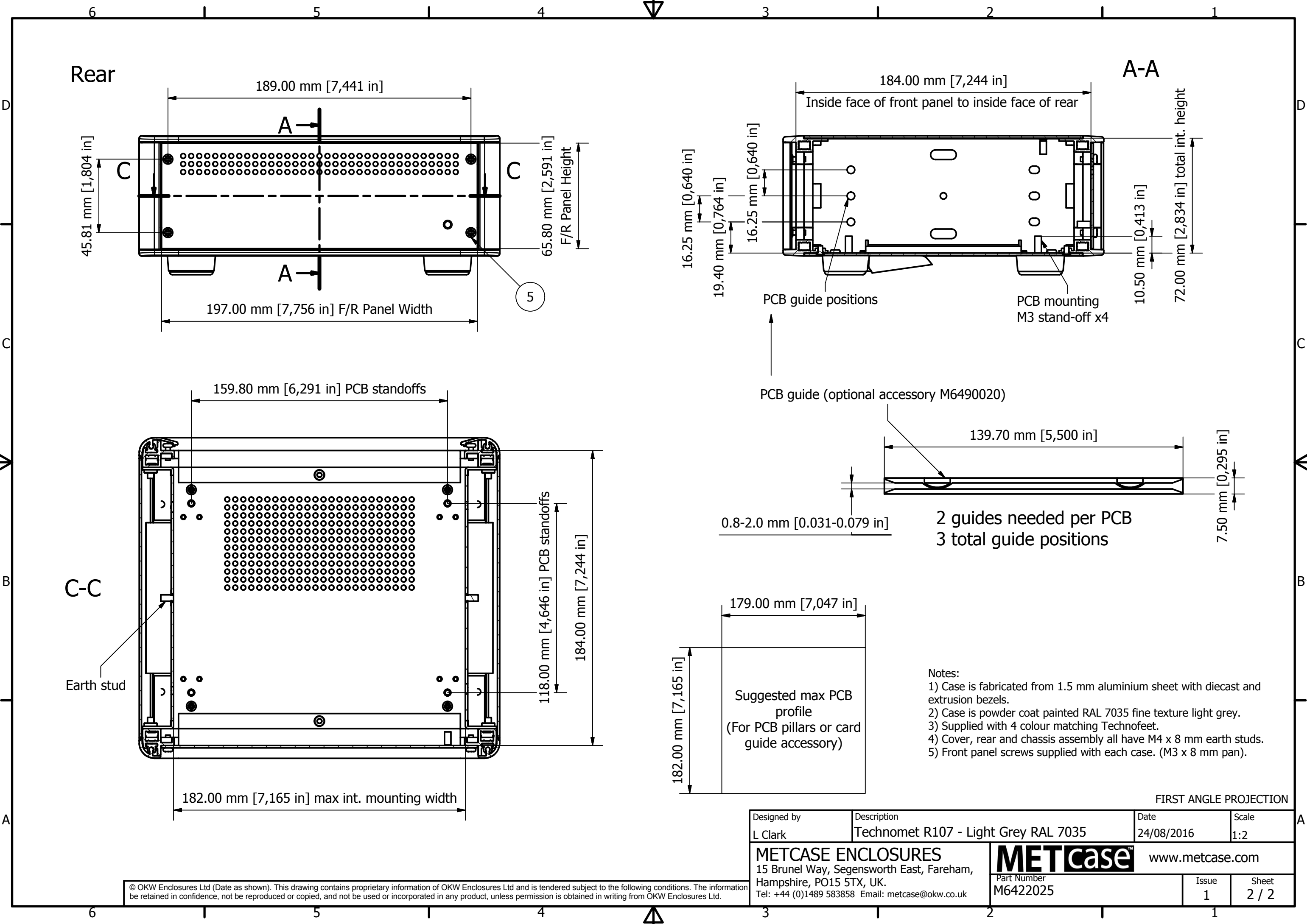


FIRST ANGLE PROJECTION

Front panel (M6400700) sold seperately

© OKW Enclosures Ltd (Date as shown). This drawing contains proprietary information of OKW Enclosures Ltd and is tendered subject to the following conditions. The information be retained in confidence, not be reproduced or copied, and not be used or incorporated in any product, unless permission is obtained in writing from OKW Enclosures Ltd.

Designed by L Clark	Description Technomet R107 - Light Grey RAL 7035	Date 24/08/2016	Scale 1:2
METCASE ENCLOSURES 15 Brunel Way, Segensworth East, Fareham, Hampshire, PO15 5TX, UK. Tel: +44 (0)1489 583858 Email: metcase@okw.co.uk		METcase™ www.metcase.com Part Number M6422025	
		Issue 1	Sheet 1 / 2



- Notes:
- 1) Case is fabricated from 1.5 mm aluminium sheet with diecast and extrusion bezels.
 - 2) Case is powder coat painted RAL 7035 fine texture light grey.
 - 3) Supplied with 4 colour matching Technofeet.
 - 4) Cover, rear and chassis assembly all have M4 x 8 mm earth studs.
 - 5) Front panel screws supplied with each case. (M3 x 8 mm pan).

FIRST ANGLE PROJECTION

Designed by L Clark	Description Technomet R107 - Light Grey RAL 7035	Date 24/08/2016	Scale 1:2
METCASE ENCLOSURES 15 Brunel Way, Segensworth East, Fareham, Hampshire, PO15 5TX, UK. Tel: +44 (0)1489 583858 Email: metcase@okw.co.uk		METcase™ www.metcase.com Part Number M6422025	
		Issue 1	Sheet 2 / 2

© OKW Enclosures Ltd (Date as shown). This drawing contains proprietary information of OKW Enclosures Ltd and is tendered subject to the following conditions. The information be retained in confidence, not be reproduced or copied, and not be used or incorporated in any product, unless permission is obtained in writing from OKW Enclosures Ltd.